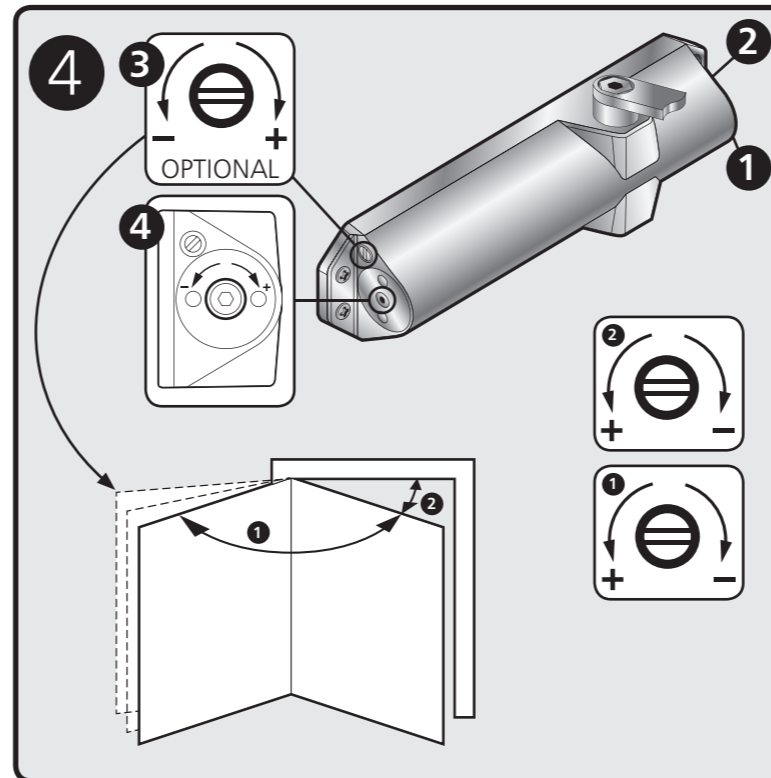
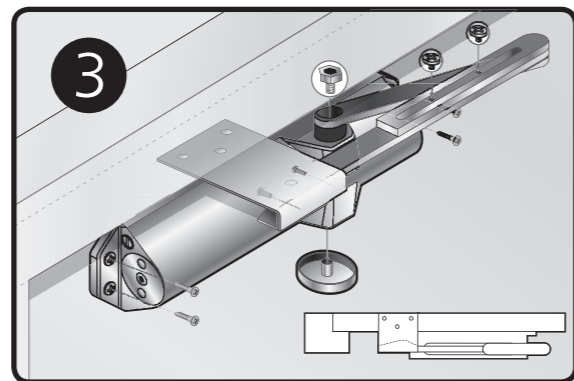
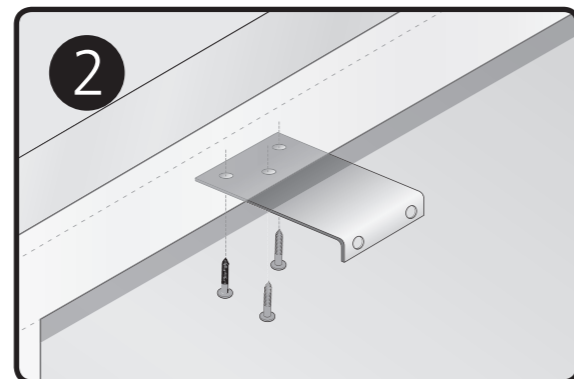
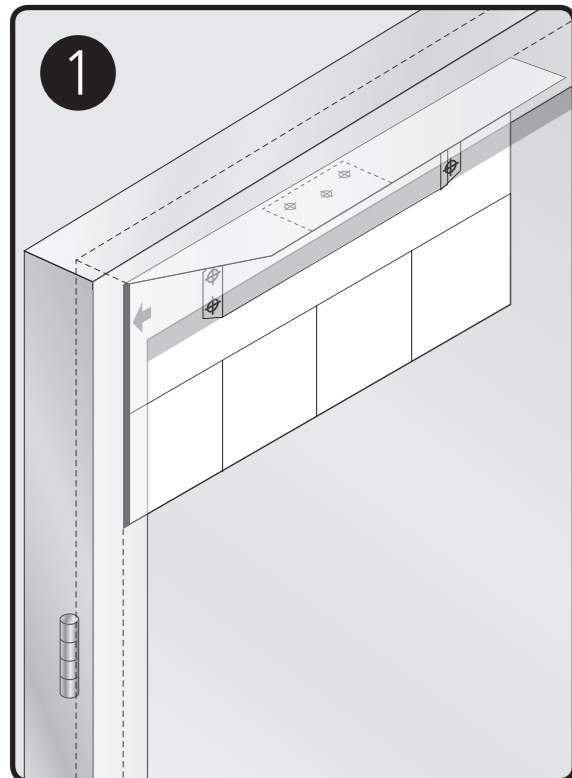
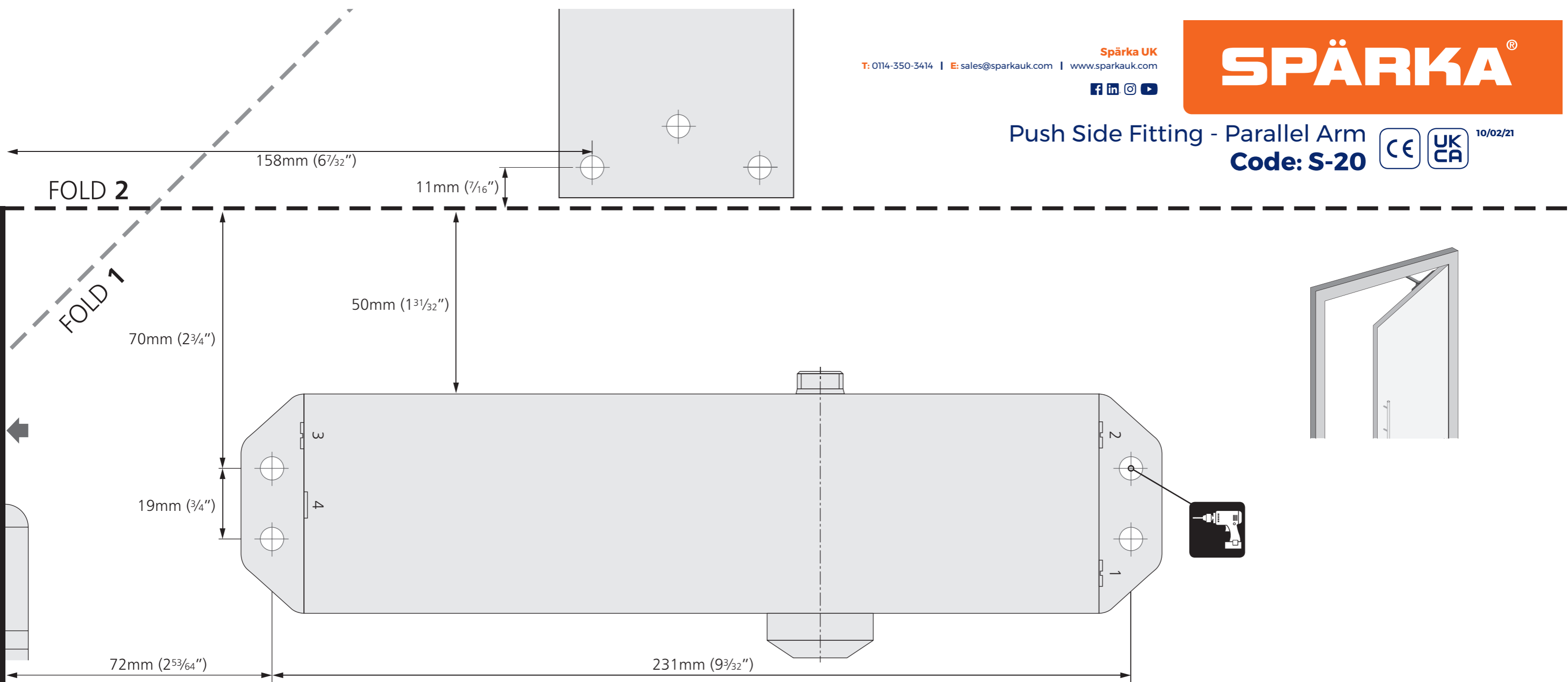


EN 2-4 Power Adjustment				
4				
No. of turns	EN Size	Max. door width	Max. opening angle	Max weight
-3	2	850mm	180°	45
+0	3	950mm	180°	60
+3	4	1100mm	180°	80
* FACTORY PRE-SET				



EN 2-4 Power Adjustment

4	No. of turns	EN Size	Max. door width	Max. opening angle	Max weight
-	-3	2	850mm	180°	45
0	*0	3	950mm	180°	60
+	+3	4	1100mm	180°	80

* FACTORY PRE-SET

THE PINION BOLT MUST BE TIGHTENED TO 12NM